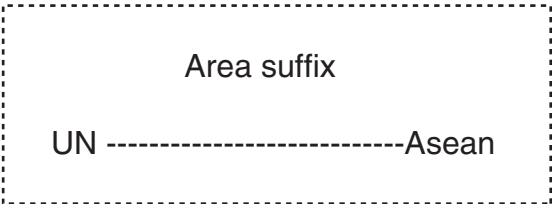


# PARTS LIST

[ KS-FX321S,KS-FX321G ]

\* All printed circuit boards and its assemblies are not available as service parts.



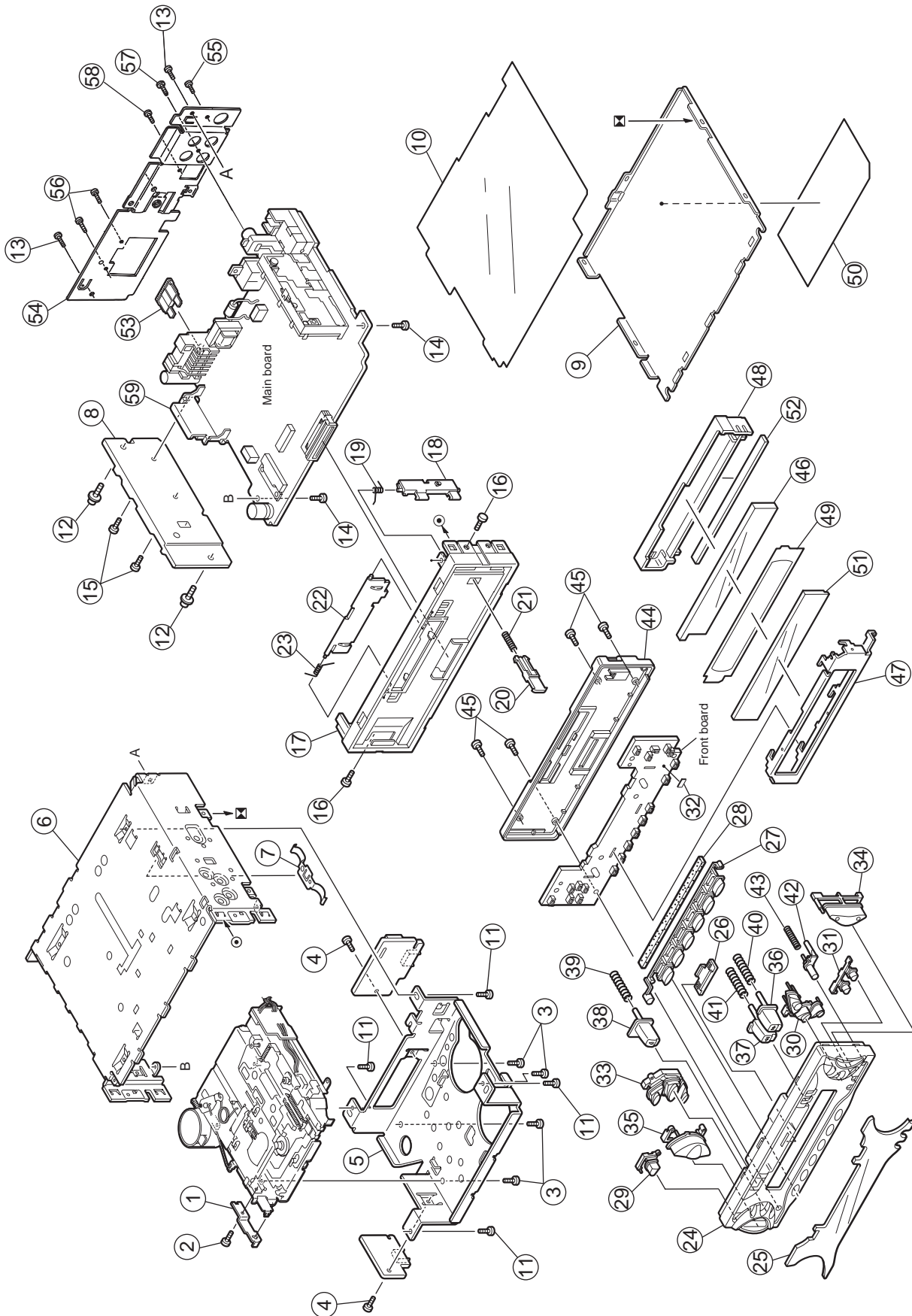
- Contents -

Exploded view of general assembly and parts list (Block No.M1) ..... 3- 2  
Cassette mechanism assembly and parts list (Block No.MP) ..... 3- 4  
Electrical parts list (Block No.01~03) ..... 3- 8  
Packing materials and accessories parts list (Block No.M3) ..... 3-12

# Exploded view of general assembly and parts list

Block No. 

M	1	M	M
---	---	---	---



# General assembly

## Block No. [M][1][M][M]

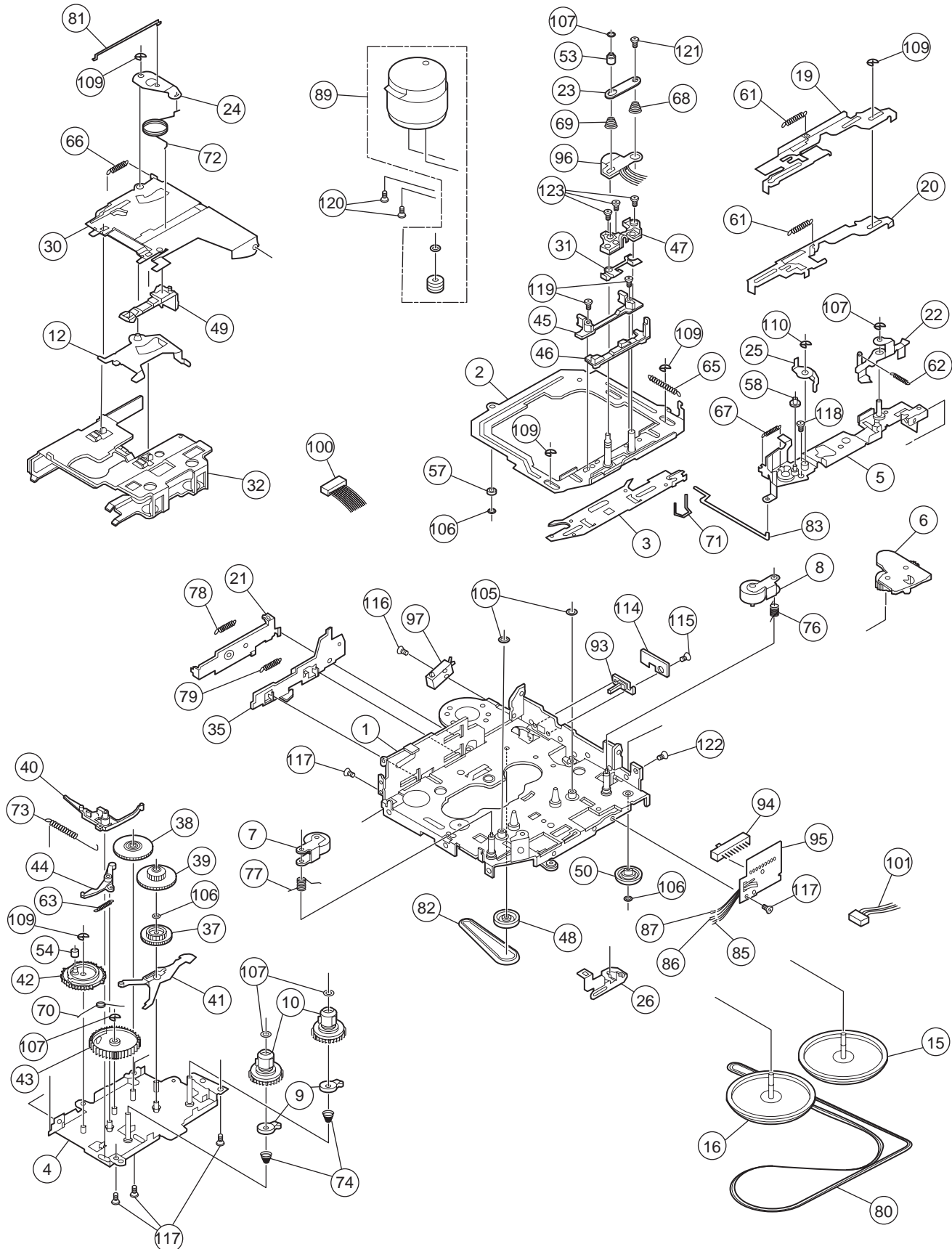
△ Symbol No.	Part No.	Part Name	Description	Local
1	VKL7821-001	EJECT LEVER		
2	QYSPSPT2625Z	SCREW	2.6mm x 2.5mm	
3	QYSDSP2604Z	SCREW	2.6mm x 4mm(x4)	
4	QYSDST2605Z	SCREW	2.6mm x 5mm(x2)	
5	GE20134-001A	MECHA BKT		
6	GE10043-011A	TOP CHASIS		
7	GE40135-001A	EARTH PLATE		
8	GE30938-003A	SIDE PANEL		
9	GE30393-001A	BOTTOM COVER		
10	FSMA3004-203	INSULATOR		
11	QYSDST2604Z	SCREW	2.6mm x 4mm(x4)	
12	FSKZ4005-001	SCREW	(x2)	
13	QYSDST2604Z	SCREW	2.6mm x 4mm(x2)	
14	QYSDST2606Z	SCREW	2.6mm x 6mm(x2)	
15	QYSDST2610Z	SCREW	2.6mm x 10mm	
16	QYSDST2004M	SCREW	2mm x 4mm(x2)	
17	GE10053-001A	FRONT CHASSIS		FX321 GUN
17	GE10053-002A	FRONT CHASSIS		FX321 SUN
18	GE30583-001A	LOCK LEVER		
19	FSKW4005-003	TORSION SPRING		
20	FSXP3026-002	RLS KNOB		
21	FSKW3002-004	COMP.SPRING		
22	FSJC3014-003	CASSETTE LID		
23	VKW4947-002	DOOR SPRING		
24	GE10051-004A	FRONT PANEL		FX321 GUN
24	GE10051-002A	FRONT PANEL		FX321 SUN
25	GE30584-016A	FINDER ASSY		FX321 GUN
25	GE30584-017A	FINDER ASSY		FX321 SUN
26	FSJK3014-001	LIGHT LENS		
27	GE20119-001A	PRESET BUTTON		
28	FSYH4036-077	SHEET		
29	GE30304-001A	POWER BUTTON		
30	GE20131-033A	D.FUNC BUTTON		FX321 GUN
30	GE20131-032A	D.FUNC BUTTON		FX321 SUN
31	GE30307-001A	SND.FUNC.BUTTON		
32	FSYH4036-032	SHEET		
33	GE20130-033A	PUSH BUTTON		FX321 GUN
33	GE20130-032A-N	PUSH BUTTON		FX321 SUN
34	GE20120-001A	UP/DOWN BUTTON		
35	GE20118-002A	+/- BUTTON		
36	FSXP3066-001	FF BUTTON		
37	FSXP3067-001	REW BUTTON		
38	FSXP3065-001	EJECT BUTTON		
39	FSKW3002-003	COMP.SPRING		
40	FSKW3002-003	COMP.SPRING		
41	FSKW3002-003	COMP.SPRING		
42	GE30306-001A	DETACH BUTTON		
43	FSKW3002-012	COMP.SPRING		
44	GE10052-001A	REAR COVER		FX321 GUN
44	GE10052-002A	REAR COVER		FX321 SUN
45	VKZ4777-001	MINI SCREW	(x4)	
46	FSJK3033-001	LCD LENS		
47	GE30309-002A	LCD CASE		
48	FSKS3020-003	LENS CASE		
49	FSYH4075-003	LIGHTING SHEET		
50	GE30995-001A	NAME PLATE		FX321 GUN
50	GE30992-001A	NAME PLATE		FX321 SUN
51	QLD0249-001	LCD MODULE		
52	QNZ0440-001	LCD CONNECTOR		
△ 53	QMFZ047-150-T	FUSE	15A	
54	GE30382-013A	REAR BRACKET		
55	QYSDST2606Z	SCREW	2.6mm x 6mm	

△ Symbol No.	Part No.	Part Name	Description	Local
56	QYSDSF2606Z	SCREW	2.6mm x 6mm(x2)	
57	QYSDSF2606Z	SCREW	2.6mm x 6mm	
58	QYSDST2606Z	SCREW	2.6mm x 6mm	
59	GE40172-002A	IC BRACKET		

# Cassette mechanism assembly and parts list

CDS-363SJ1

Block No. M P M M



# Cassette mechanism

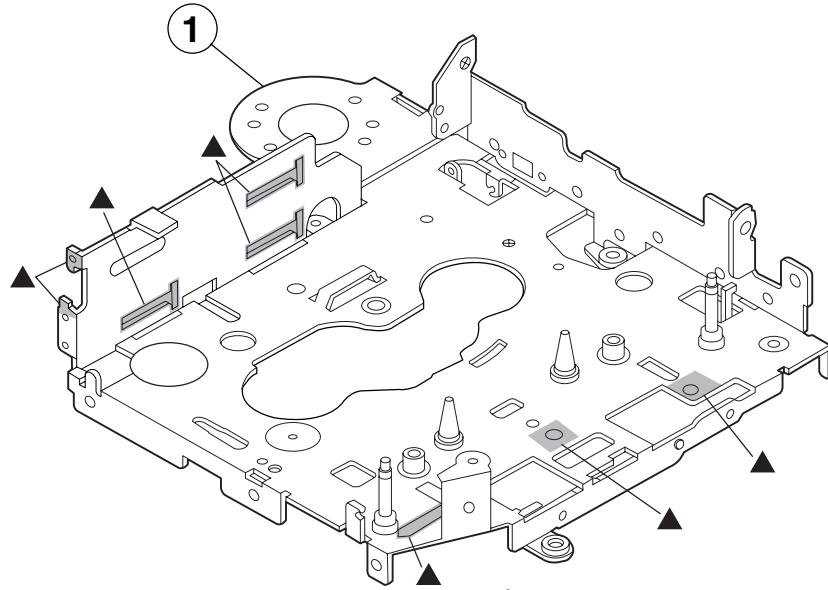
Block No. [M][P][M][M]

△ Symbol No.	Part No.	Part Name	Description	Local
1	X-0363-1001S	MAIN CHASSIS AS		
2	X-0363-1002S	HEAD PLATE ASSY		
3	X-0363-1004S	FR CONV ARM (A)		
4	X-0363-6001S	REEL BASE ASSY		
5	X-0363-6007S	LEVER BRKT ASSY		
6	X-0363-6003S	TU GEAR ARM ASS		
7	X-0363-6004S	PINCH ARM(R) AS		
8	X-0363-6005S	PINCH ARM(F) AS		
9	X-0363-6006S	DETECTOR CAM AS	(x2)	
10	X-0363-2005S	REEL SPINDLE AS	(x2)	
12	X-0036-1019S	EJ.CAM LOCK ASY		
15	1-0363-6010S	FLYWHEEL ASSY F		
16	1-0363-6011S	FLYWHEEL ASSY R		
19	1-0036-1065S	FF LEVER(JVC)		
20	1-0036-1066S	REW LEVER(JVC)		
21	1-0036-1007S	EJECT LEVER		
22	1-0036-1013S	LOCK ARM		
23	1-0036-1015S	SPG SUPPORT PLT		
24	1-0036-1018S	CENTER PLATE		
25	1-0036-1023S	CHANGE LEVER(B)		
26	1-0036-1026S	FR ARM(B)		
30	1-0138-1002S	CASSETTE HANGER		
31	1-0138-1006S	ADJUSTER SHIN(X		
32	1-0138-1010S	CASSETTE HOLDER		
35	1-0363-1003S	EJECT CAM		
37	1-0036-2001S	IDLE GEAR		
38	1-0036-2003S	REDUCT.GEAR(B)		
39	1-0036-2004S	REDUCT.GEAR(A)		
40	1-0036-2007-5S	RATCHET		
41	1-0036-2009S	SENSOR ARM		
42	1-0036-2010S	SELECTOR GEAR		
43	1-0036-2014S	DETECTOR GEAR		
44	1-0038-2014S	GEAR LOCK ARM		
45	1-0038-2018S	TAPE GUIDE		
46	1-0363-2006S	ADJUSTER LINK B		
47	1-0138-2005-3S	ADJUSTER ARM(B)		
48	1-0036-2005S	PULLEY GEAR		
49	1-0032-2007S	TAPE HOOKER		
50	1-0058-2021-5S	IDLE PULLEY(A)		
53	1-0363-3018S	FF ROLLER		
54	1-0036-3018S	COLLER		
57	1-0363-3007S	HP ROLLER(A)		
58	1-0363-3011S	PROGRAM ROLLER		
61	1-0036-4001S	FF/REW LEVER SP		
62	1-0036-4002S	LOCK LEVER SPG		
63	1-0036-4003S	GEAR LOCK ARM S		
65	1-0036-4006S	HEAD PLATE SPG		
66	1-0036-4007S	EJ.CAM LOCK SPG		
67	1-0036-4008S	PROGRAM ARM SPG		
68	1-0036-4010S	ADJUST ARM SP(A		
69	1-0036-4011S	ADJUST ARM SP(B		
70	1-0036-4015S	DASH SPG		
71	1-0036-4017S	CHANGING ARM SP		
72	1-0036-4023S	CENTER PLT SP(B		
73	1-0038-4014S	RATCHET SPG		
74	1-0138-4001S	BACK TEMSION SP		
76	1-0363-4003S	PINCH ARM SPG F		
77	1-0363-4004S	PINCH ARM SPG R		
78	1-0363-4005S	EJECT LEVER SPG		
79	1-0036-4005S	EJECT CAM SPG		
80	1-0036-5020S	MAIN BELT(AL)		
81	1-0363-5007S	RETURN LINK		
82	1-0036-5001S	SUB BELT		
83	1-0363-5003S	SELECTOR LINK B		
85	1-0036-7002S	WIRE(A)		
86	1-0036-7003S	WIRE(B)		
87	1-0036-7073S	WIRE(AL)		
89	X-0363-7006S	MOTOR ASSY		
93	1-0363-7001S	MUTE SW		
94	1-0363-7002S	SLIDE SW		
95	1-0363-7008S	SLIDE SW PWB		
96	1-0036-7016S	HEAD		
97	1-0363-7005S	POWER SW		
100	1-0036-7089S	6P WIRE ASY(JVC		

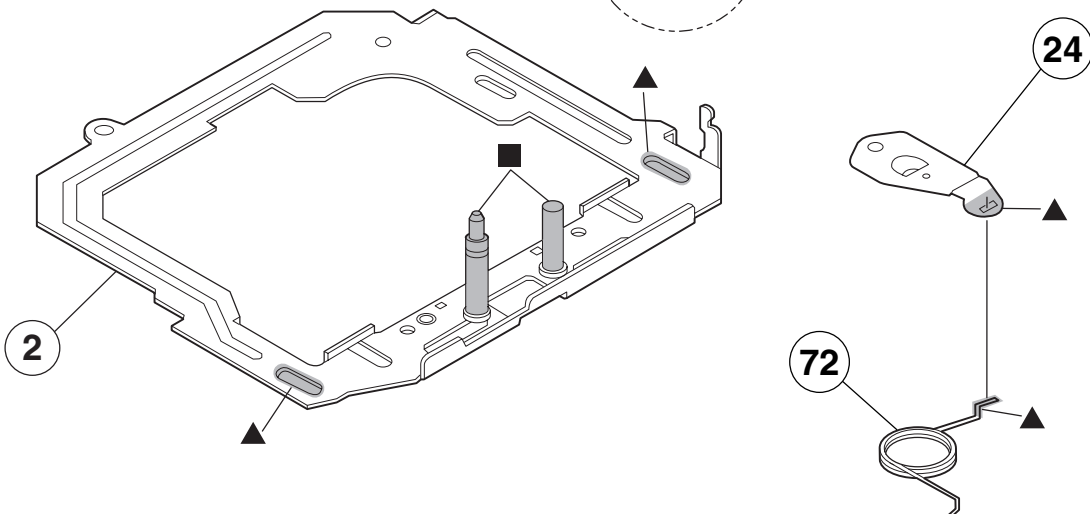
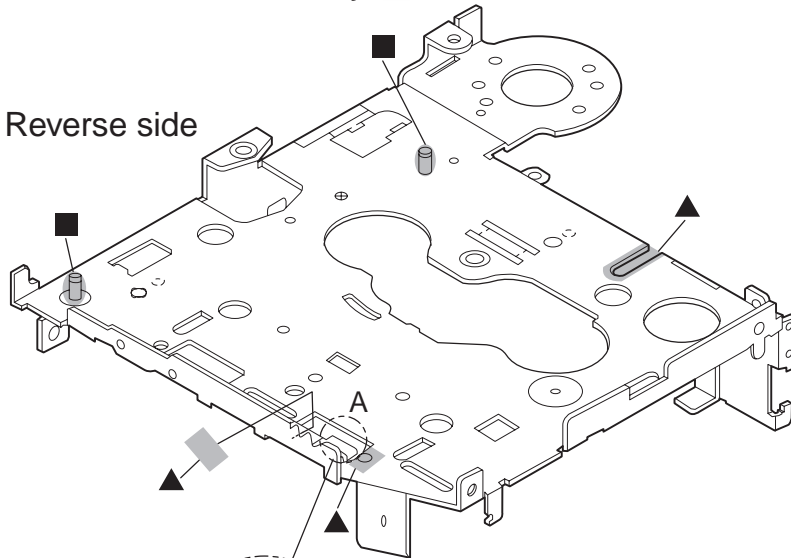
△ Symbol No.	Part No.	Part Name	Description	Local
101	1-0036-7088S	5P WIRE ASY(JVC		
105	2-1816-0032-E8S	MYLAR WASHER(S)	(x2)	
106	2-1812-0030-D2S	PSW-S	(x3)	
107	1-0036-5024S	PSW(REEL)	(x5)	
109	2-1712-0050-16S	E RING	(x5)	
110	2-1712-5060-16S	E RING		
114	1-0363-7015S	MUTE SW PWB		
115	2-1331-7040-C2S	SCREW S		
116	2-1331-7060-C2S	SCREW S		
117	2-1382-0030-C2S	SCREW B	(x5)	
118	2-1332-0040-C1S	SCREW S		
119	2-1032-0070-C2S	SCREW	(x2)	
120	2-1032-0025-C2S	SCREW	(x2)	
121	2-1012-0040-C2S	SCREW		
122	2-1012-0030-F2S	SCREW		
123	1-0138-5002S	AZIMUTH SCREW	(x3)	

# Grease point 1/2

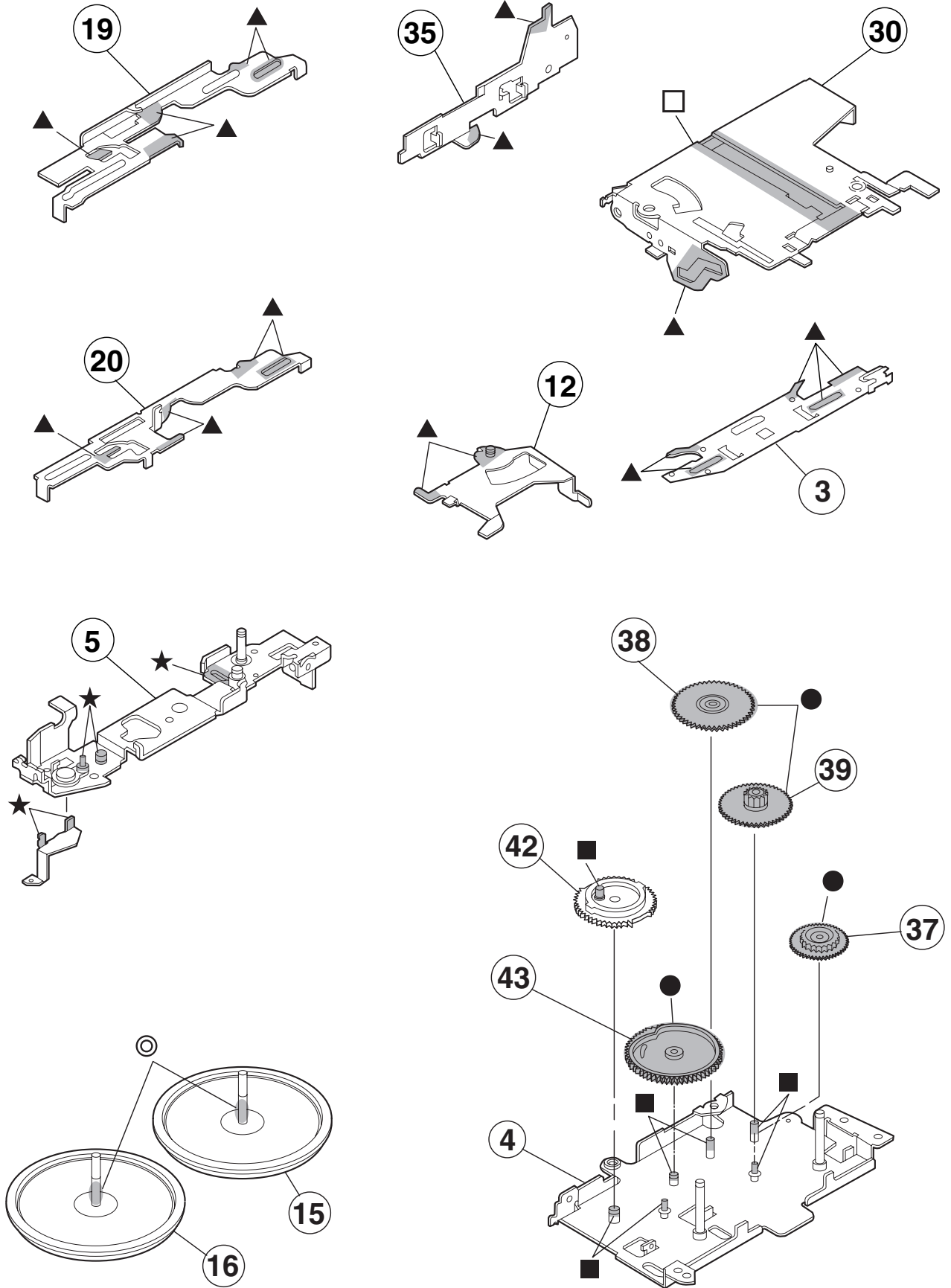
- Grease
- FL-942
  - SW-902
  - ▲ SW-522B
  - ★ FG-84M
  - ◎ C68
  - CFD-409



Reverse side



# Grease point 2/2



# Electrical parts list

## Main board

Block No. [0][1][0][0]

△ Symbol No.	Part No.	Part Name	Description	Local
IC701	LC72362N-9B39		Micon	
IC751	HD74HC126P	IC	Changer control	
IC781	AN80T05LF	IC	Regulator	
IC931	LC75421M-X	IC	E. volume	
IC981	LA4743K	POWER IC	Power amp.	
Q1	2SA1706/ST/-T	TRANSISTOR		
Q2	KRC102M-T	DIGI TRANSISTOR		
Q3	KTA1267/YG/-T	TRANSISTOR		
Q4	KRC102M-T	DIGI TRANSISTOR		
Q5	KRC102M-T	DIGI TRANSISTOR		
Q161	2SD2144S/VW/-T	TRANSISTOR		
Q261	2SD2144S/VW/-T	TRANSISTOR		
Q701	KTC3199/GL/-T	TRANSISTOR		
Q771	KTC3199/GL/-T	TRANSISTOR		
Q772	KTC3199/GL/-T	TRANSISTOR		
Q781	KRC102M-T	DIGI TRANSISTOR		
Q782	2SA1706/ST/-T	TRANSISTOR		
Q783	KRC102M-T	DIGI TRANSISTOR		
Q784	2SA1706/ST/-T	TRANSISTOR		
Q789	KRA102M-T	DIGI TRANSISTOR		
Q971	KRC102M-T	DIGI TRANSISTOR		
Q972	KRA102M-T	DIGI TRANSISTOR		
Q987	KRA102M-T	DIGI TRANSISTOR		
Q988	KRC102M-T	DIGI TRANSISTOR		
Q989	KRA102M-T	DIGI TRANSISTOR		
D1	1SS119-041	DIODE		
D2	1SS119-041	DIODE		
D161	1SS119-041	DIODE		
D261	1SS119-041	DIODE		
D701	1SS119-041	DIODE		
D704	MTZJ6.2B-T2	Z DIODE		
D705	MTZJ6.2B-T2	Z DIODE		
D706	MTZJ6.2B-T2	Z DIODE		
D707	MTZJ6.2B-T2	Z DIODE		
D708	MTZJ6.2B-T2	Z DIODE		
D709	MTZJ6.2B-T2	Z DIODE		
D711	MTZJ6.2B-T2	Z DIODE		
D713	1SS119-041	DIODE		
D714	1SS119-041	DIODE		
D716	1SS119-041	DIODE		
D718	1SS119-041	DIODE		
D771	MTZJ9.1C-T2	Z DIODE		
D781	1SS119-041	DIODE		
D782	1SS119-041	DIODE		
D784	1A3G-T1	DIODE		
D785	1A3G-T1	DIODE		
D786	1A3G-T1	DIODE		
D791	1SS119-041	DIODE		
D792	1SS119-041	DIODE		
D961	RB721Q-40-T2	DIODE		
D973	1SS119-041	DIODE		
D974	1SS119-041	DIODE		
D981	1N5401-TM	DIODE		
D990	MTZJ11B-T2	Z DIODE		
C2	QDX11EK-223Z	C CAPACITOR	0.022uF 25V K	
C3	QEJ1HM-104Z	E CAPACITOR	0.1uF 50V M	
C4	QEJ1HM-104Z	E CAPACITOR	0.1uF 50V M	
C5	QEJ1CM-106Z	E CAPACITOR	10uF 16V M	
C6	QDX11EK-223Z	C CAPACITOR	0.022uF 25V K	
C7	QDX11EK-223Z	C CAPACITOR	0.022uF 25V K	
C8	QERF1HM-104Z	E CAPACITOR	0.1uF 50V M	
C9	QDYB1CM-103Y	C CAPACITOR	0.01uF 16V M	
C11	QDYB1CM-103Y	C CAPACITOR	0.01uF 16V M	
C12	QCBB1HK-271Y	C CAPACITOR	270pF 50V K	
C15	QDYB1CM-103Y	C CAPACITOR	0.01uF 16V M	
C131	QERF1HM-105Z	E CAPACITOR	1uF 50V M	
C132	QERF1HM-105Z	E CAPACITOR	1uF 50V M	
C133	QERF1HM-105Z	E CAPACITOR	1uF 50V M	
C134	QFV61HJ-823Z	MF CAPACITOR	0.082uF 50V J	

△ Symbol No.	Part No.	Part Name	Description	Local
C135	QFV61HJ-823Z	MF CAPACITOR	0.082uF 50V J	
C136	QFVD1HJ-154Z	MF CAPACITOR	0.15uF 50V J	
C137	QFVD1HJ-154Z	MF CAPACITOR	0.15uF 50V J	
C138	QCFB1HZ-104Y	C CAPACITOR	0.1uF 50V Z	
C150	QERF1HM-225Z	E CAPACITOR	2.2uF 50V M	
C160	QERF1HM-225Z	E CAPACITOR	2.2uF 50V M	
C231	QERF1HM-105Z	E CAPACITOR	1uF 50V M	
C232	QERF1HM-105Z	E CAPACITOR	1uF 50V M	
C233	QERF1HM-105Z	E CAPACITOR	1uF 50V M	
C234	QFLK1HJ-152Z	M CAPACITOR	1500pF 50V J	
C235	QFV61HJ-823Z	MF CAPACITOR	0.082uF 50V J	
C236	QFV61HJ-823Z	MF CAPACITOR	0.082uF 50V J	
C237	QFVD1HJ-154Z	MF CAPACITOR	0.15uF 50V J	
C238	QFVD1HJ-154Z	MF CAPACITOR	0.15uF 50V J	
C250	QERF1HM-225Z	E CAPACITOR	2.2uF 50V M	
C260	QERF1HM-225Z	E CAPACITOR	2.2uF 50V M	
C701	QDUB1HJ-270Y	C CAPACITOR	27pF 50V J	
C702	QDCB1HJ-220Y	C CAPACITOR	22pF 50V J	
C703	QERF0JM-107Z	E CAPACITOR	100uF 6.3V M	
C704	QFVD1HJ-224Z	MF CAPACITOR	0.22uF 50V J	
C705	QERF1CM-106Z	E CAPACITOR	10uF 16V M	
C706	QDYB1CM-103Y	C CAPACITOR	0.01uF 16V M	
C707	QFV61HJ-103Z	MF CAPACITOR	0.01uF 50V J	
C709	QERF1HM-474Z	E CAPACITOR	0.47uF 50V M	
C710	QCFB1HZ-104Y	C CAPACITOR	0.1uF 50V Z	
C751	QDYB1CM-103Y	C CAPACITOR	0.01uF 16V M	
C771	QERF1AM-227Z	E CAPACITOR	220uF 10V M	
C772	QERF1HM-225Z	E CAPACITOR	2.2uF 50V M	
C773	QDGB1HK-102Y	C CAPACITOR	1000pF 50V K	
C781	QEJ1CM-106Z	E CAPACITOR	10uF 16V M	
C783	QETN0JM-228Z	E CAPACITOR	2200uF 6.3V M	
C784	QERF1AM-227Z	E CAPACITOR	220uF 10V M	
C785	QERF1CM-106Z	E CAPACITOR	10uF 16V M	
C786	QERF1AM-227Z	E CAPACITOR	220uF 10V M	
C931	QEJ1AM-107Z	E CAPACITOR	100uF 10V M	
C932	QCFB1HZ-104Y	C CAPACITOR	0.1uF 50V Z	
C933	QERF1HM-105Z	E CAPACITOR	1uF 50V M	
C934	QERF1CM-226Z	E CAPACITOR	22uF 16V M	
C940	QERF1HM-105Z	E CAPACITOR	1uF 50V M	
C941	QERF1HM-105Z	E CAPACITOR	1uF 50V M	
C942	QFLK1HJ-152Z	M CAPACITOR	1500pF 50V J	
C943	QERF1HM-105Z	E CAPACITOR	1uF 50V M	
C972	QERF1AM-227Z	E CAPACITOR	220uF 10V M	
C974	QFVD1HJ-224Z	MF CAPACITOR	0.22uF 50V J	
C975	QFVD1HJ-224Z	MF CAPACITOR	0.22uF 50V J	
C976	QFVD1HJ-224Z	MF CAPACITOR	0.22uF 50V J	
C977	QFVD1HJ-224Z	MF CAPACITOR	0.22uF 50V J	
C981	QEJ0615-228	E CAPACITOR	2200uF	
C982	QERF1CM-476Z	E CAPACITOR	47uF 16V M	
C983	QCFB1HZ-104Y	C CAPACITOR	0.1uF 50V Z	
C984	QERF1CM-106Z	E CAPACITOR	10uF 16V M	
C985	QERF1EM-475Z	E CAPACITOR	4.7uF 25V M	
C986	QERF1CM-226Z	E CAPACITOR	22uF 16V M	
C987	QEJ1CM-106Z	E CAPACITOR	10uF 16V M	
C988	QERF1CM-476Z	E CAPACITOR	47uF 16V M	
C989	QERF1CM-106Z	E CAPACITOR	10uF 16V M	
C990	QCFB1HZ-104Y	C CAPACITOR	0.1uF 50V Z	
C991	QCFB1HZ-104Y	C CAPACITOR	0.1uF 50V Z	
C992	QCFB1HZ-104Y	C CAPACITOR	0.1uF 50V Z	
C993	QCFB1HZ-104Y	C CAPACITOR	0.1uF 50V Z	
C994	QCBB1HK-471Y	C CAPACITOR	470pF 50V K	
C995	QCBB1HK-471Y	C CAPACITOR	470pF 50V K	
C996	QCBB1HK-471Y	C CAPACITOR	470pF 50V K	
C997	QCBB1HK-471Y	C CAPACITOR	470pF 50V K	
R1	QRE141J-100Y	C RESISTOR	10Ω 1/4W J	
R2	QRE141J-102Y	C RESISTOR	1kΩ 1/4W J	
R3	QRE141J-102Y	C RESISTOR	1kΩ 1/4W J	
R4	QRE141J-103Y	C RESISTOR	10kΩ 1/4W J	
R5	QRE141J-102Y	C RESISTOR	1kΩ 1/4W J	
R6	QRE141J-103Y	C RESISTOR	10kΩ 1/4W J	
R9	QRE141J-103Y	C RESISTOR	10kΩ 1/4W J	
R10	QRE141J-103Y	C RESISTOR	10kΩ 1/4W J	
R14	QRE141J-822Y	C RESISTOR	8.2kΩ 1/4W J	
R15	QRE141J-223Y	C RESISTOR	22kΩ 1/4W J	
R17	QRE141J-222Y	C RESISTOR	2.2kΩ 1/4W J	



△ Symbol No.	Part No.	Part Name	Description	Local	△ Symbol No.	Part No.	Part Name	Description	Local
R51	QRE141J-471Y	C RESISTOR	470Ω 1/4W J		R999	QRE141J-473Y	C RESISTOR	47kΩ 1/4W J	
R52	QRE141J-752Y	C RESISTOR	7.5kΩ 1/4W J		L1	QQL231K-4R7Y	COIL	4.7uH K	
R61	QRE141J-471Y	C RESISTOR	470Ω 1/4W J		L781	QQL231K-470Y	COIL	47uH K	
R62	QRE141J-752Y	C RESISTOR	7.5kΩ 1/4W J		L782	QQL231K-470Y	COIL	47uH K	
R131	QRE141J-392Y	C RESISTOR	3.9kΩ 1/4W J		L783	QQL231K-470Y	COIL	47uH K	
R132	QRE141J-752Y	C RESISTOR	7.5kΩ 1/4W J		L981	QQR1367-001	CHOKE COIL		
R163	QRE141J-821Y	C RESISTOR	820Ω 1/4W J		CJ701	VMC0334-001	CONNECTOR		
R164	QRE141J-101Y	C RESISTOR	100Ω 1/4W J		CJ921	QNN0519-001	PIN JACK		
R165	QRE141J-222Y	C RESISTOR	2.2kΩ 1/4W J		CN721	QGB1214J1-06S	CONNECTOR	B-B (1-6)	
R231	QRE141J-392Y	C RESISTOR	3.9kΩ 1/4W J		CN901	QGB1214J1-06S	CONNECTOR	B-B (1-6)	
R232	QRE141J-752Y	C RESISTOR	7.5kΩ 1/4W J		CP751	QNZ0095-001	CONNECTOR		
R263	QRE141J-821Y	C RESISTOR	820Ω 1/4W J		CP981	QNZ0611-001	16P CONNECTOR		
R264	QRE141J-101Y	C RESISTOR	100Ω 1/4W J		J1	QNZ0009-001	CAR ANT JACK		
R265	QRE141J-222Y	C RESISTOR	2.2kΩ 1/4W J		TU1	QAU0281-001	TUNER PACK		
R702	QRE141J-473Y	C RESISTOR	47kΩ 1/4W J		X701	QAX0406-001Z	CRYSTAL	4.500MHZ	
R703	QRE141J-473Y	C RESISTOR	47kΩ 1/4W J						
R704	QRE141J-103Y	C RESISTOR	10kΩ 1/4W J						
R705	QRE141J-473Y	C RESISTOR	47kΩ 1/4W J						
R707	QRE141J-473Y	C RESISTOR	47kΩ 1/4W J						
R708	QRE141J-473Y	C RESISTOR	47kΩ 1/4W J						
R709	QRE141J-472Y	C RESISTOR	4.7kΩ 1/4W J						
R710	QRE141J-472Y	C RESISTOR	4.7kΩ 1/4W J						
R712	QRE141J-472Y	C RESISTOR	4.7kΩ 1/4W J						
R713	QRE141J-472Y	C RESISTOR	4.7kΩ 1/4W J						
R714	QRE141J-472Y	C RESISTOR	4.7kΩ 1/4W J						
R715	QRE141J-222Y	C RESISTOR	2.2kΩ 1/4W J						
R718	QRE141J-332Y	C RESISTOR	3.3kΩ 1/4W J						
R719	QRE141J-332Y	C RESISTOR	3.3kΩ 1/4W J						
R720	QRE141J-332Y	C RESISTOR	3.3kΩ 1/4W J						
R721	QRE141J-332Y	C RESISTOR	3.3kΩ 1/4W J						
R722	QRE141J-332Y	C RESISTOR	3.3kΩ 1/4W J						
R724	QRE141J-472Y	C RESISTOR	4.7kΩ 1/4W J						
R725	QRE141J-473Y	C RESISTOR	47kΩ 1/4W J						
R726	QRE141J-473Y	C RESISTOR	47kΩ 1/4W J						
R727	QRE141J-473Y	C RESISTOR	47kΩ 1/4W J						
R751	QRE141J-102Y	C RESISTOR	1kΩ 1/4W J						
R752	QRE141J-103Y	C RESISTOR	10kΩ 1/4W J						
R753	QRE141J-473Y	C RESISTOR	47kΩ 1/4W J						
R754	QRE141J-334Y	C RESISTOR	330kΩ 1/4W J						
R755	QRE141J-101Y	C RESISTOR	100Ω 1/4W J						
R756	QRE141J-101Y	C RESISTOR	100Ω 1/4W J						
R757	QRE141J-473Y	C RESISTOR	47kΩ 1/4W J						
R758	QRE141J-473Y	C RESISTOR	47kΩ 1/4W J						
R759	QRE141J-101Y	C RESISTOR	100Ω 1/4W J						
R760	QRE141J-103Y	C RESISTOR	10kΩ 1/4W J						
R761	QRE141J-102Y	C RESISTOR	1kΩ 1/4W J						
R762	QRE141J-102Y	C RESISTOR	1kΩ 1/4W J						
R763	QRE141J-102Y	C RESISTOR	1kΩ 1/4W J						
R764	QRE141J-473Y	C RESISTOR	47kΩ 1/4W J						
R771	QRE141J-472Y	C RESISTOR	4.7kΩ 1/4W J						
R772	QRE141J-103Y	C RESISTOR	10kΩ 1/4W J						
R773	QRE141J-102Y	C RESISTOR	1kΩ 1/4W J						
R774	QRE141J-152Y	C RESISTOR	1.5kΩ 1/4W J						
R783	QRE141J-473Y	C RESISTOR	47kΩ 1/4W J						
R784	QRE141J-102Y	C RESISTOR	1kΩ 1/4W J						
R785	QRE141J-473Y	C RESISTOR	47kΩ 1/4W J						
R786	QRE141J-102Y	C RESISTOR	1kΩ 1/4W J						
R787	QRE141J-101Y	C RESISTOR	100Ω 1/4W J						
R788	QRE141J-242Y	C RESISTOR	2.4kΩ 1/4W J						
R789	QRE141J-104Y	C RESISTOR	100kΩ 1/4W J						
R790	QRE141J-474Y	C RESISTOR	470kΩ 1/4W J						
R792	QRE141J-6R8Y	C RESISTOR	6.8Ω 1/4W J						
R795	QRE141J-183Y	C RESISTOR	18kΩ 1/4W J						
R796	QRE141J-473Y	C RESISTOR	47kΩ 1/4W J						
R797	QRE141J-123Y	C RESISTOR	12kΩ 1/4W J						
R931	QRE141J-100Y	C RESISTOR	10Ω 1/4W J						
R941	QRE141J-332Y	C RESISTOR	3.3kΩ 1/4W J						
R972	QRE141J-272Y	C RESISTOR	2.7kΩ 1/4W J						
R973	QRE141J-472Y	C RESISTOR	4.7kΩ 1/4W J						
R985	QRE141J-472Y	C RESISTOR	4.7kΩ 1/4W J						
R990	QRE141J-103Y	C RESISTOR	10kΩ 1/4W J						
R991	QRE141J-273Y	C RESISTOR	27kΩ 1/4W J						
R992	QRE141J-273Y	C RESISTOR	27kΩ 1/4W J						
R993	QRE141J-273Y	C RESISTOR	27kΩ 1/4W J						
R994	QRE141J-273Y	C RESISTOR	27kΩ 1/4W J						
R996	QRE141J-473Y	C RESISTOR	47kΩ 1/4W J						
R997	QRE141J-473Y	C RESISTOR	47kΩ 1/4W J						
R998	QRE141J-473Y	C RESISTOR	47kΩ 1/4W J						

## Mecha control board

Block No. [0][2][0][0]

△ Symbol No.	Part No.	Part Name	Description	Local
IC901	UPC1228HA	IC	Head amp	
C101	QDGB1HK-821Y	C CAPACITOR	820pF 50V K	
C102	QEKJ1HM-474Z	E CAPACITOR	0.47uF 50V M	
C103	QCBB1HK-101Y	C CAPACITOR	100pF 50V K	
C104	QEKJOJM-476Z	E CAPACITOR	47uF 6.3V M	
C105	QFV61HJ-103Z	MF CAPACITOR	0.01uF 50V J	
C201	QDGB1HK-821Y	C CAPACITOR	820pF 50V K	
C202	QERF1HM-474Z	E CAPACITOR	0.47uF 50V M	
C203	QCBB1HK-101Y	C CAPACITOR	100pF 50V K	
C204	QEKJOJM-476Z	E CAPACITOR	47uF 6.3V M	
C205	QFV61HJ-103Z	MF CAPACITOR	0.01uF 50V J	
C901	QEKJ1AM-107Z	E CAPACITOR	100uF 10V M	
R101	QRE141J-153Y	C RESISTOR	15kΩ 1/4W J	
R103	QRE141J-101Y	C RESISTOR	100Ω 1/4W J	
R104	QRE141J-334Y	C RESISTOR	330kΩ 1/4W J	
R201	QRE141J-153Y	C RESISTOR	15kΩ 1/4W J	
R203	QRE141J-101Y	C RESISTOR	100Ω 1/4W J	
R204	QRE141J-334Y	C RESISTOR	330kΩ 1/4W J	
R901	QRE141J-101Y	C RESISTOR	100Ω 1/4W J	
CJ901	QGA2002C1-05	CONNECTOR	W-B (1-5)	
CP721	QGB1214K1-06S	CONNECTOR	B-B (1-6)	
CP722	QGA2002F1-06	CONNECTOR	W-B (1-6)	
CP901	QGB1214K1-06S	CONNECTOR	B-B (1-6)	

## Front board

Block No. [0][3][0][0]

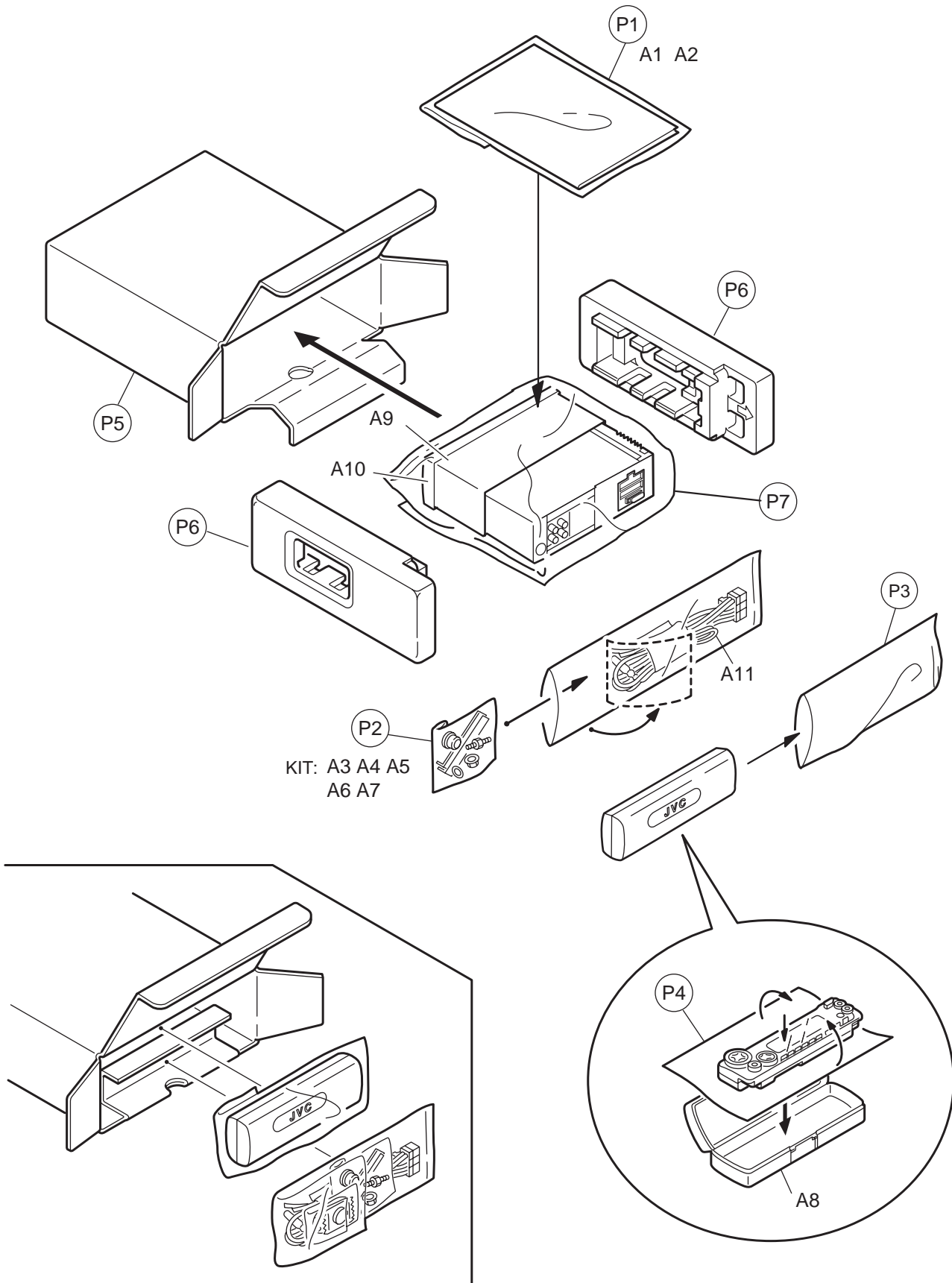
△ Symbol No.	Part No.	Part Name	Description	Local
IC651	LC75823W	IC	LCD driver	
D601	SML-310LT/MN/-X	LED		
D602	LNJ308G81/1-3/X	LED		
D603	LNJ308G81/1-3/X	LED		
D604	LNJ308G81/1-3/X	LED		
D605	LNJ308G81/1-3/X	LED		
D606	LNJ308G81/1-3/X	LED		
D607	LNJ308G81/1-3/X	LED		
D608	LNJ308G81/1-3/X	LED		
D610	LNJ308G81/1-3/X	LED		
D611	LNJ308G81/1-3/X	LED		
D612	LNJ308G81/1-3/X	LED		
D613	LNJ308G81/1-3/X	LED		
D614	LNJ308G81/1-3/X	LED		

Symbol No.	Part No.	Part Name	Description	Local
D615	LNJ308G81/1-3/X	LED		
D616	LNJ308G81/1-3/X	LED		
D617	LNJ308G81/1-3/X	LED		
D618	LNJ308G81/1-3/X	LED		
D619	LNJ308G81/1-3/X	LED		
D620	LNJ308G81/1-3/X	LED		
C651	NCB31EK-103X	C CAPACITOR	0.01uF 25V K	
C652	NBE20JM-475X	TA E CAPACITOR	4.7uF 6.3V M	
C653	NCB31HK-681X	C CAPACITOR	680pF 50V K	
R601	NRSA63J-681X	MG RESISTOR	680Ω 1/16W J	
R602	NRSA63J-561X	MG RESISTOR	560Ω 1/16W J	
R603	NRSA63J-681X	MG RESISTOR	680Ω 1/16W J	
R604	NRSA63J-911X	MG RESISTOR	910Ω 1/16W J	
R605	NRSA63J-122X	MG RESISTOR	1.2kΩ 1/16W J	
R607	NRSA63J-681X	MG RESISTOR	680Ω 1/16W J	
R608	NRSA63J-561X	MG RESISTOR	560Ω 1/16W J	
R609	NRSA63J-681X	MG RESISTOR	680Ω 1/16W J	
R610	NRSA63J-911X	MG RESISTOR	910Ω 1/16W J	
R611	NRSA63J-122X	MG RESISTOR	1.2kΩ 1/16W J	
R613	NRSA63J-681X	MG RESISTOR	680Ω 1/16W J	
R614	NRSA63J-561X	MG RESISTOR	560Ω 1/16W J	
R615	NRSA63J-681X	MG RESISTOR	680Ω 1/16W J	
R616	NRSA63J-911X	MG RESISTOR	910Ω 1/16W J	
R617	NRSA63J-122X	MG RESISTOR	1.2kΩ 1/16W J	
R618	NRSA63J-152X	MG RESISTOR	1.5kΩ 1/16W J	
R635	NRSA02J-821X	MG RESISTOR	820Ω 1/10W J	
R636	NRSA02J-821X	MG RESISTOR	820Ω 1/10W J	
R637	NRSA02J-152X	MG RESISTOR	1.5kΩ 1/10W J	
R638	NRSA02J-821X	MG RESISTOR	820Ω 1/10W J	
R639	NRSA02J-821X	MG RESISTOR	820Ω 1/10W J	
R640	NRSA02J-102X	MG RESISTOR	1kΩ 1/10W J	
R641	NRSA02J-182X	MG RESISTOR	1.8kΩ 1/10W J	
R642	NRSA02J-821X	MG RESISTOR	820Ω 1/10W J	
R643	NRSA02J-821X	MG RESISTOR	820Ω 1/10W J	
R644	NRSA02J-561X	MG RESISTOR	560Ω 1/10W J	
R645	NRSA02J-621X	MG RESISTOR	620Ω 1/10W J	
R646	NRSA02J-821X	MG RESISTOR	820Ω 1/10W J	
R647	NRSA02J-821X	MG RESISTOR	820Ω 1/10W J	
R648	NRSA02J-821X	MG RESISTOR	820Ω 1/10W J	
R649	NRSA02J-152X	MG RESISTOR	1.5kΩ 1/10W J	
R651	NRSA02J-152X	MG RESISTOR	1.5kΩ 1/10W J	
R652	NRSA02J-473X	MG RESISTOR	47kΩ 1/10W J	
R653	NRSA02J-184X	MG RESISTOR	180kΩ 1/10W J	
R654	NRSA02J-103X	MG RESISTOR	10kΩ 1/10W J	
R655	NRSA02J-103X	MG RESISTOR	10kΩ 1/10W J	
R656	NRSA02J-103X	MG RESISTOR	10kΩ 1/10W J	
CP701	VMC0335-001	CONNECTOR		
PL601	QLL0151-001	LAMP		
PL603	QLL0151-001	LAMP		
S601	NSW0124-001X	TACT SW		
S602	NSW0124-001X	TACT SW		
S603	NSW0124-001X	TACT SW		
S604	NSW0124-001X	TACT SW		
S605	NSW0124-001X	TACT SW		
S606	NSW0124-001X	TACT SW		
S608	NSW0124-001X	TACT SW		
S609	NSW0124-001X	TACT SW		
S610	NSW0124-001X	TACT SW		
S611	NSW0124-001X	TACT SW		
S612	NSW0124-001X	TACT SW		
S614	NSW0124-001X	TACT SW		
S615	NSW0124-001X	TACT SW		
S616	NSW0124-001X	TACT SW		
S617	NSW0124-001X	TACT SW		
S618	NSW0124-001X	TACT SW		
S619	NSW0124-001X	TACT SW		
S620	NSW0124-001X	TACT SW		
S621	NSW0124-001X	TACT SW		

<MEMO>

# Packing materials and accessories parts list

Block No. M 3 M M



## Packing and accessories

Block No. [M][3][M][M]

△ Symbol No.	Part No.	Part Name	Description	Local
A 1	GET0169-001A	INST BOOK	IND	
A 2	GET0169-002A	INSTALL MANUAL	IND	
A 3	VKZ4027-202	PLUG NUT		
A 4	VKH4871-001SS	MOUNT BOLT		
A 5	VKZ4328-001	LOCK NUT		
A 6	WNS5000Z	WASHER		
A 7	GE40130-001A	HOOK	(x2)	
A 8	FSJB3002-30C	HARD CASE		
A 9	GE20137-003A	MOUNTING SLEEVE		
A 10	GE20135-006A	TRIM PLATE		FX321 GUN
A 10	GE20135-003A	TRIM PLATE		FX321 SUN
A 11	QAM0013-006	16P CORD ASSY		
KIT	KSFX480K-SCREW1	SCREW PARTS KIT	A3 to A7	
P 1	FSPG4002-001	POLY BAG		
P 2	QPA00801205	POLY BAG	8cm x 12cm	
P 3	QPA01003003	POLY BAG	10cm x 30cm	
P 4	FSYH4036-068	SHEET		
P 5	GE30996-001A	CARTON		FX321 GUN
P 5	GE30993-001A	CARTON		FX321 SUN
P 6	GE10047-001A	EPS CUSHION	(x2)	
P 7	QPC03004315P	POLY BAG	30cm x 43cm	